

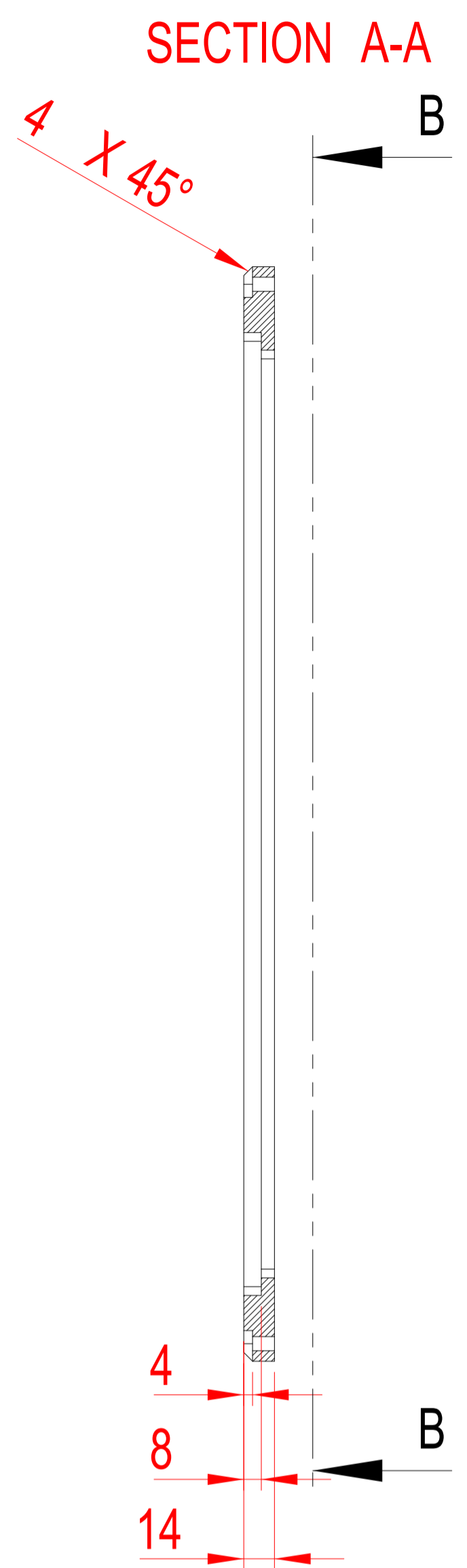
This document is the property of Hatteland Display AS.
 This document and any authorized reproduction thereof, must not be used in
 any way against the interest of Hatteland Display AS.
 Any authorized reproduction, in whole or in part, must include this legend.

A

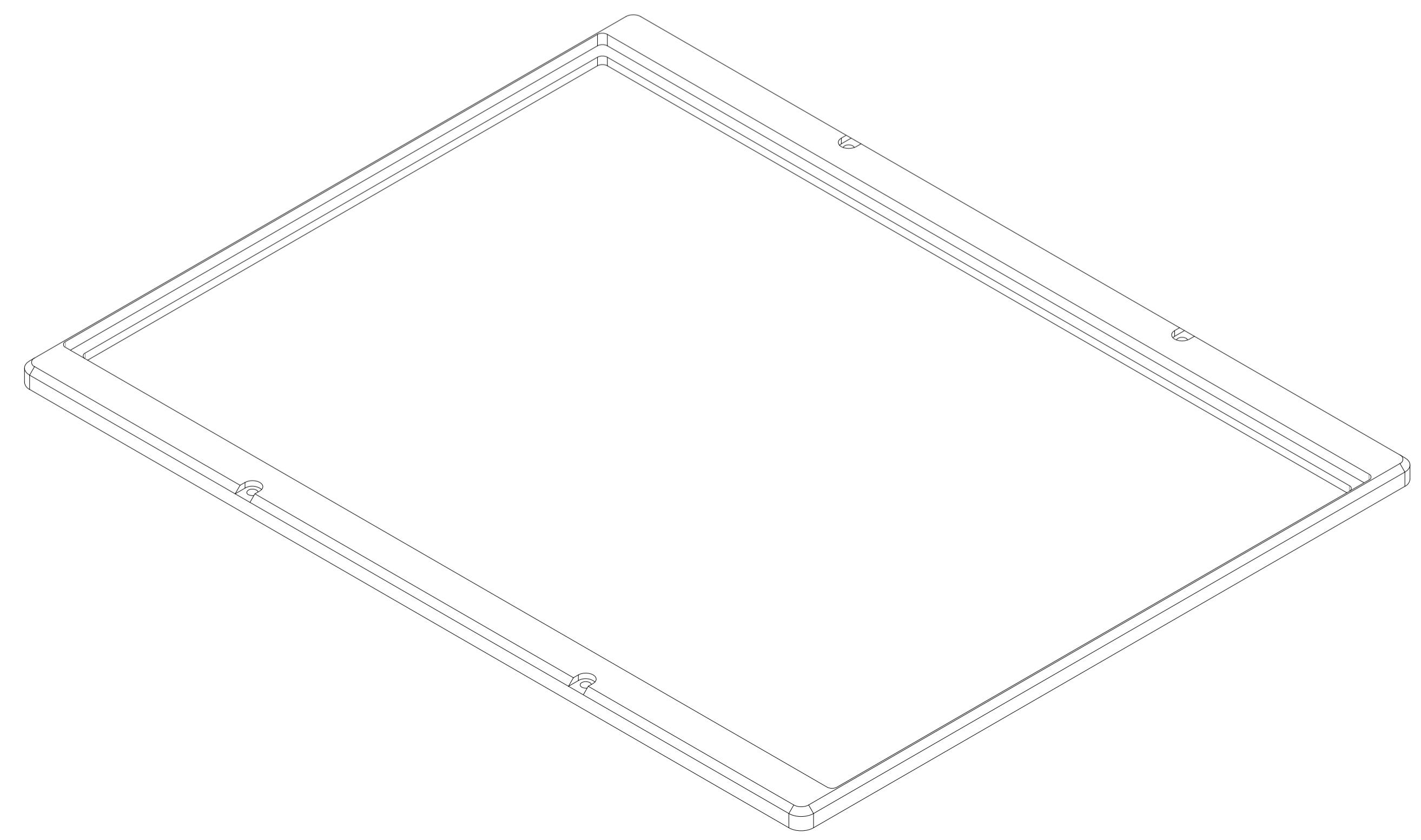
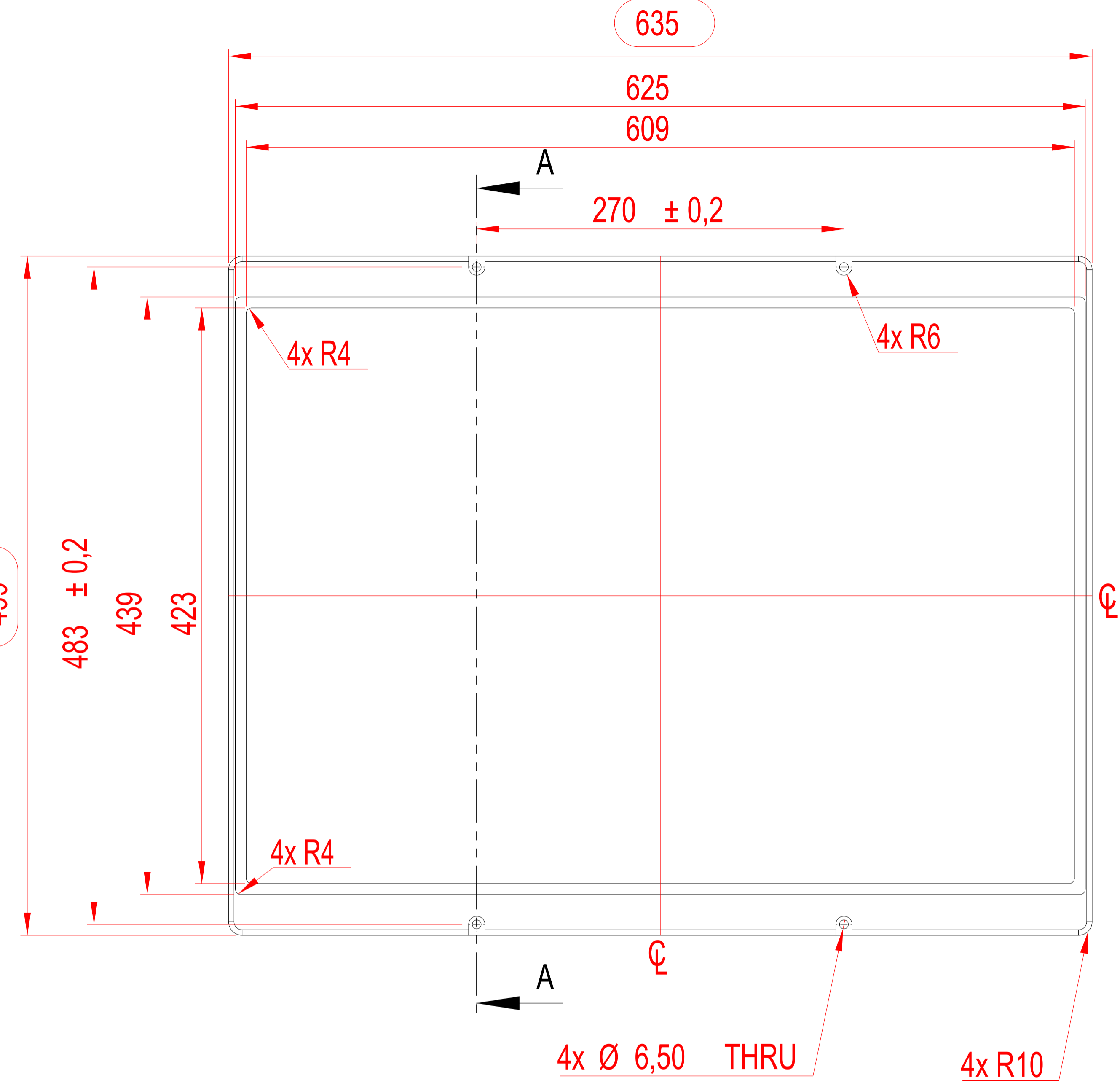
B

C

D



499



Description	Material
Adapter Plate 26" S1 to SX	6063-T6

Creation date / by: / 05.06.14 7258	Projection:	Drawing size: A3
Last rev. date / by: /		Scale: 1:5

Hatteland Display AS Åmsosen N-5578 Nedre Vats	Sheet 1 of 1	Colour code:	Approved by:	Revision: 01
	Tolerance	Welding specification	Drawing number: <h1 style="margin: 0;">P015991</h1>	
	ISO 2768-1 middel	NS-EN-288-4		

BECKRYTEX VP-570-7177-K
 NCS S 9000-W
 Surface treatment:
 Surtec 650
 ChromiAL TPC