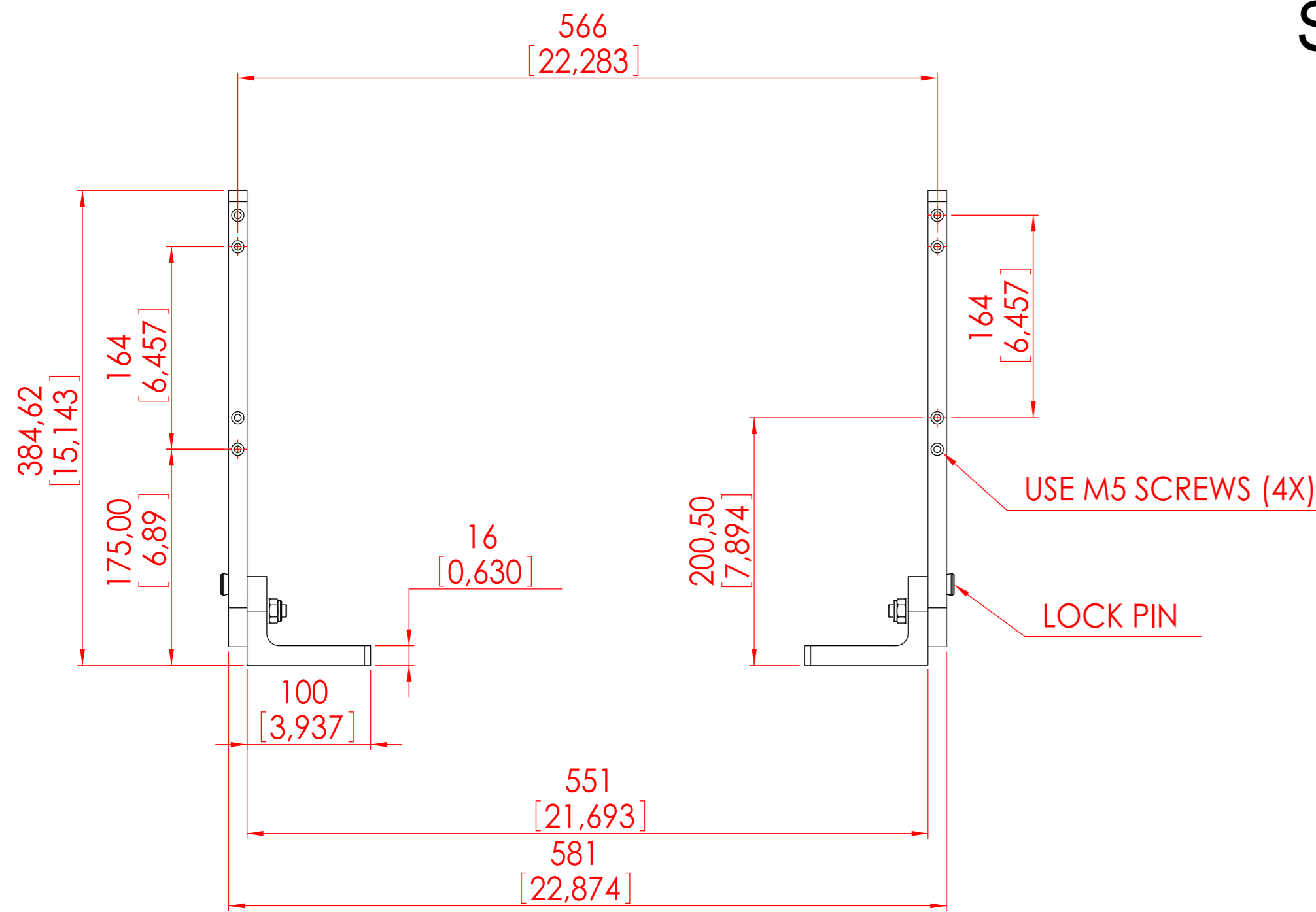
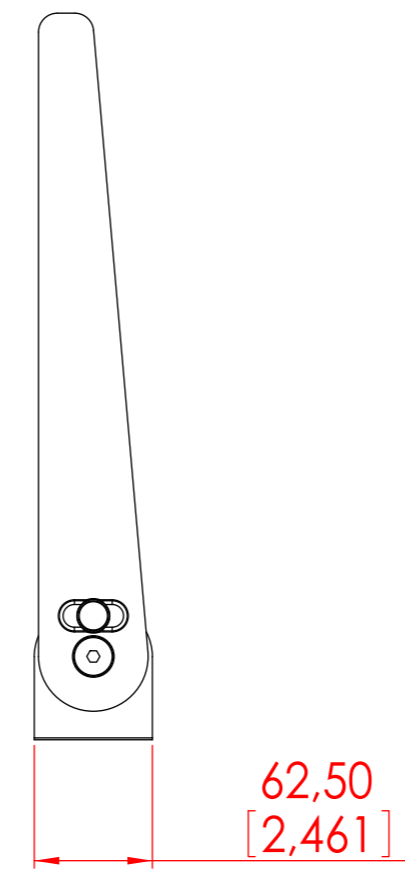


HATTELAND DISPLAY STANDARD		Created by	Date	Modified by	Date	Revision
Material type and Quality:		4191	21/08/2014	7251	14/03/2010	2
Aluminum 5052, standard EN 485-2 (1 & 2)		Surface treatment:		(1) TRIKATION (Zinc/Manganese Phosphating)		
Si-37 Alu/Zinc, standard EN 10215 (1)		(2) Powder coating RAL 9011 EPOXY STRUCTUR		DuPont EP0201-4950/027		
Stainless Steel AISI 316 L, standard EN 4404						
Welding specification:		Tolerance:				
NS-EN-288-4		ISO 2768-1 middel				
Sheet metal fasteners:						
PSM International or equivalent		www.psminternational.com				

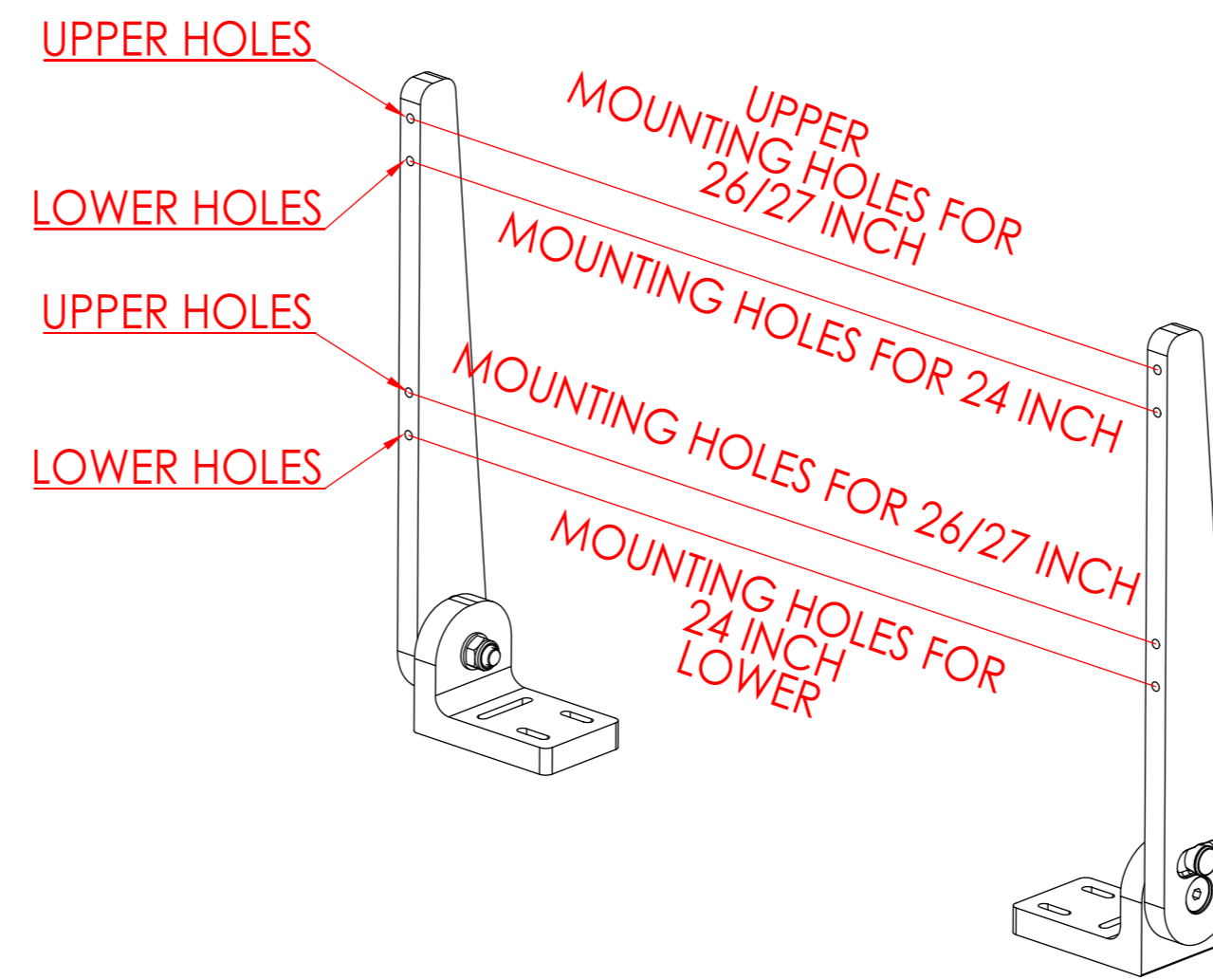
# BACK VIEW MOUNTING HOLES



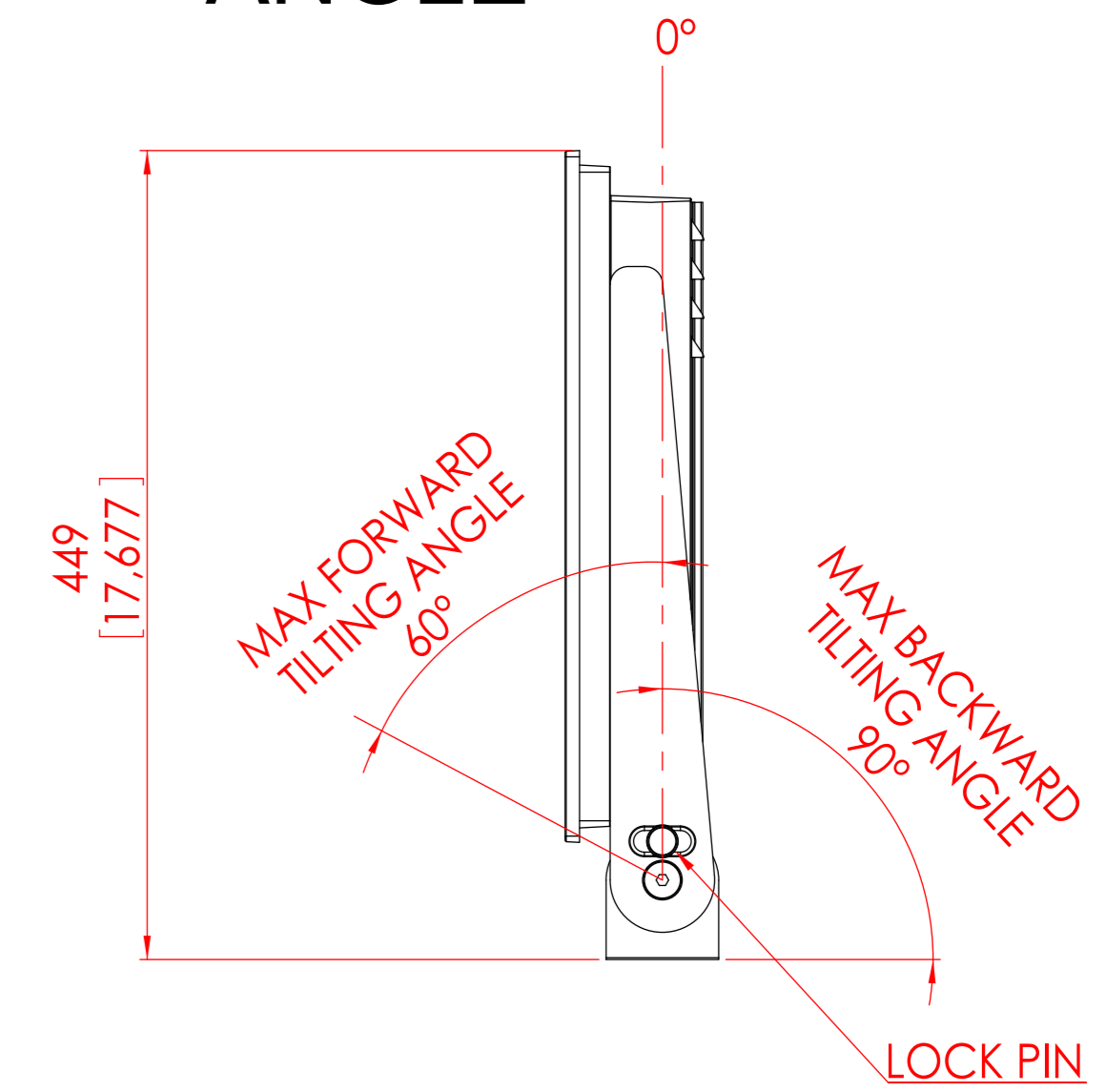
# SIDE VIEW



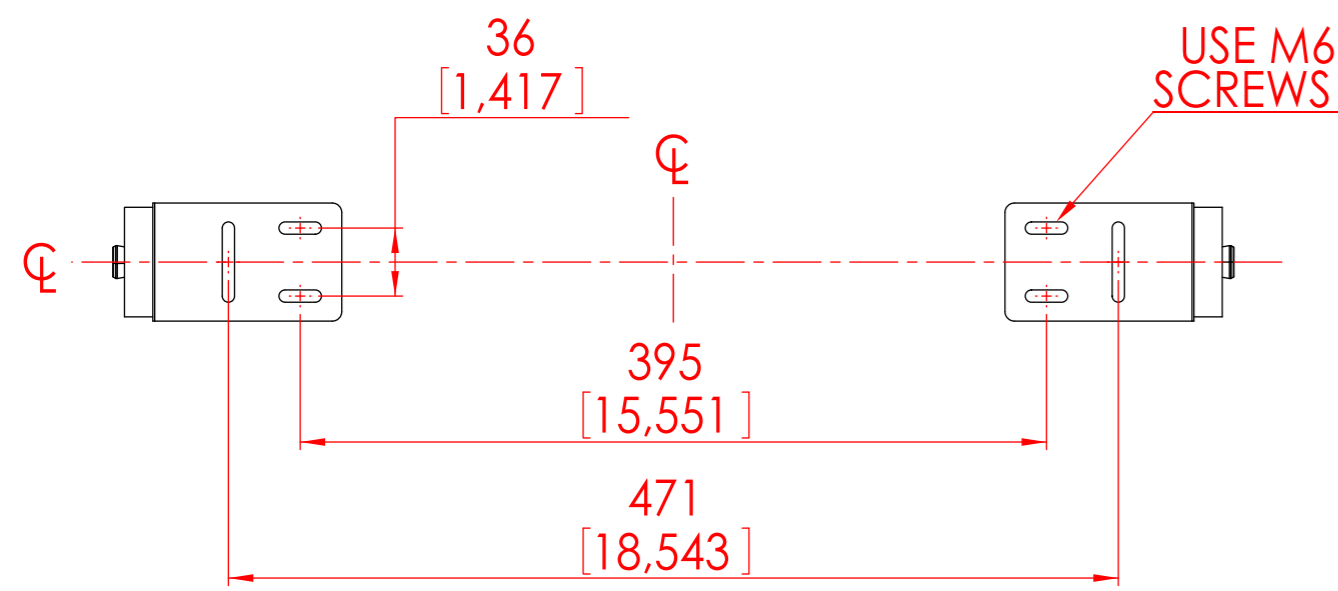
# DIMETRIC VIEW A



# ANGLE



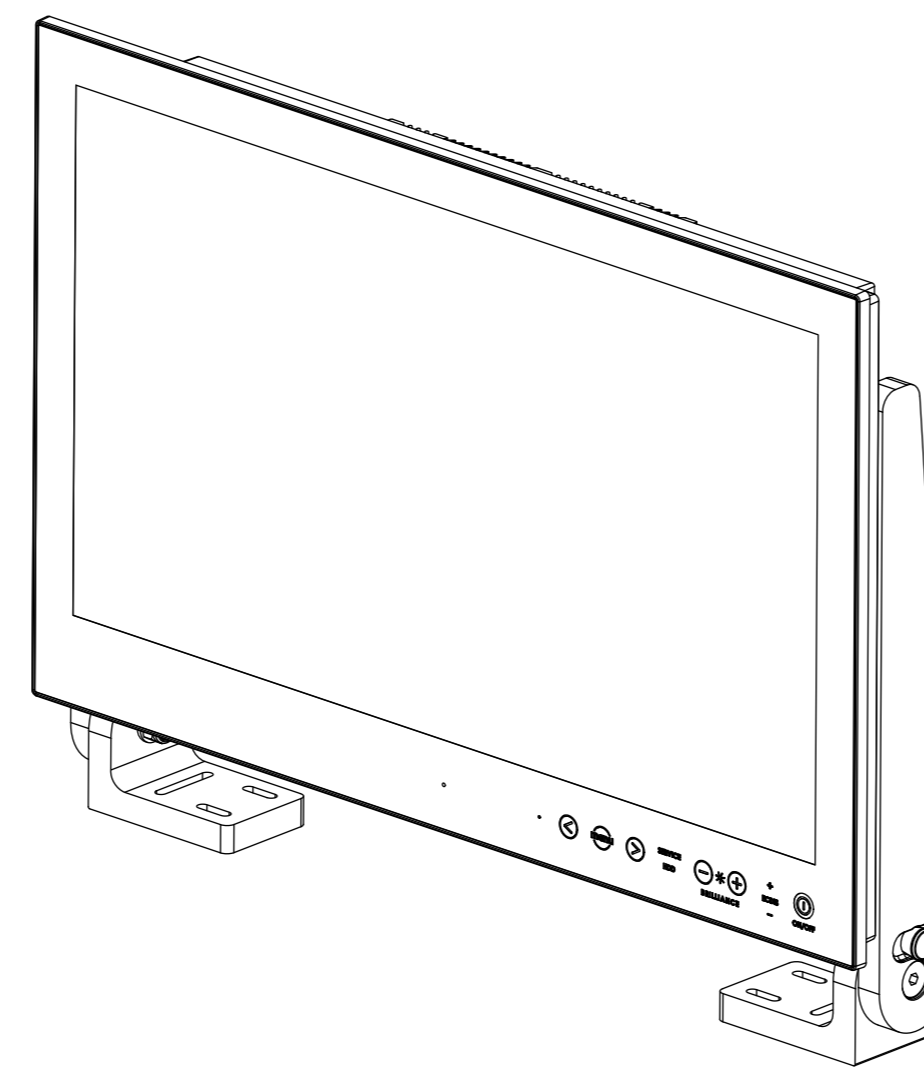
# BOTTOM VIEW



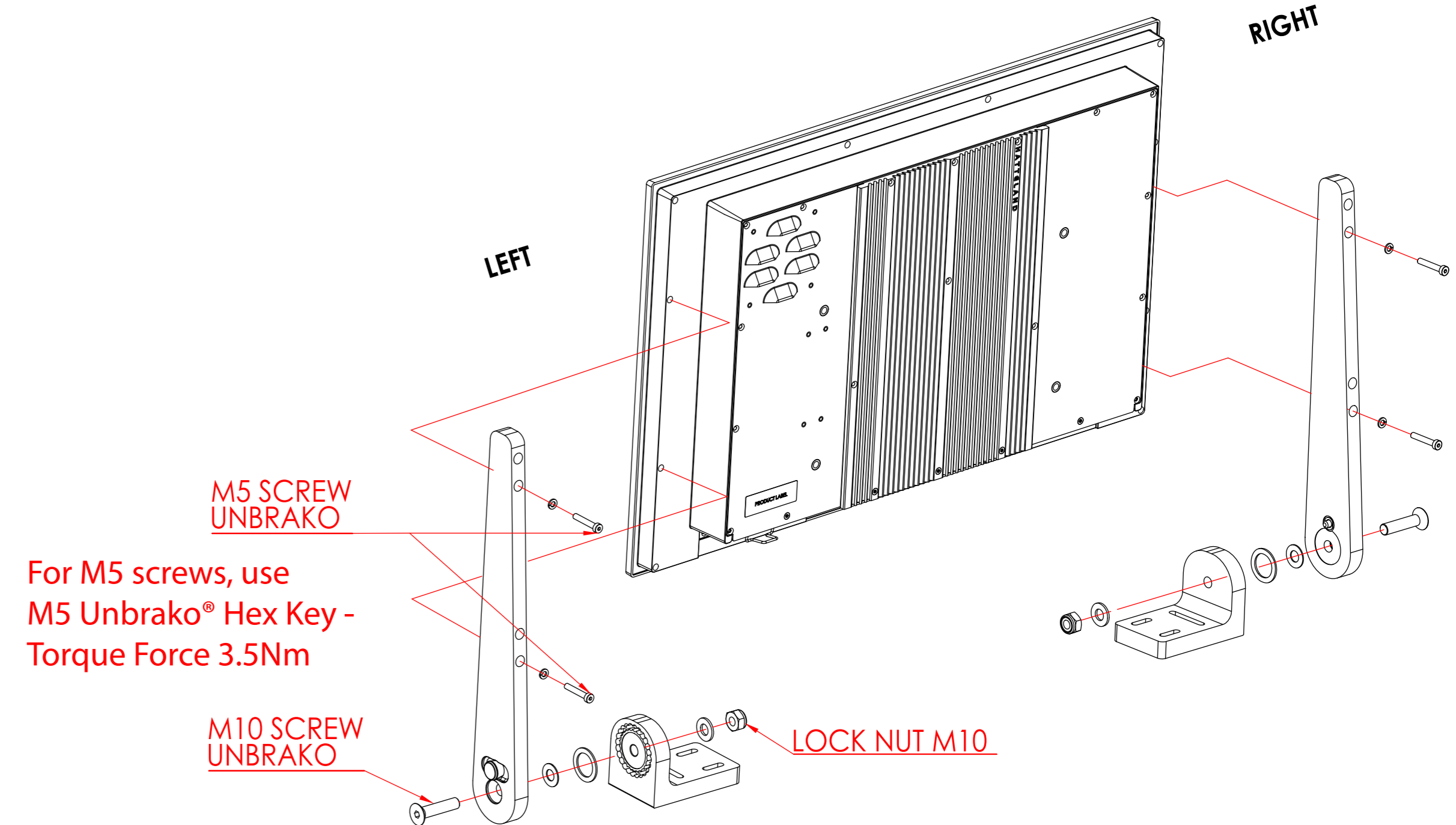
# TOP VIEW



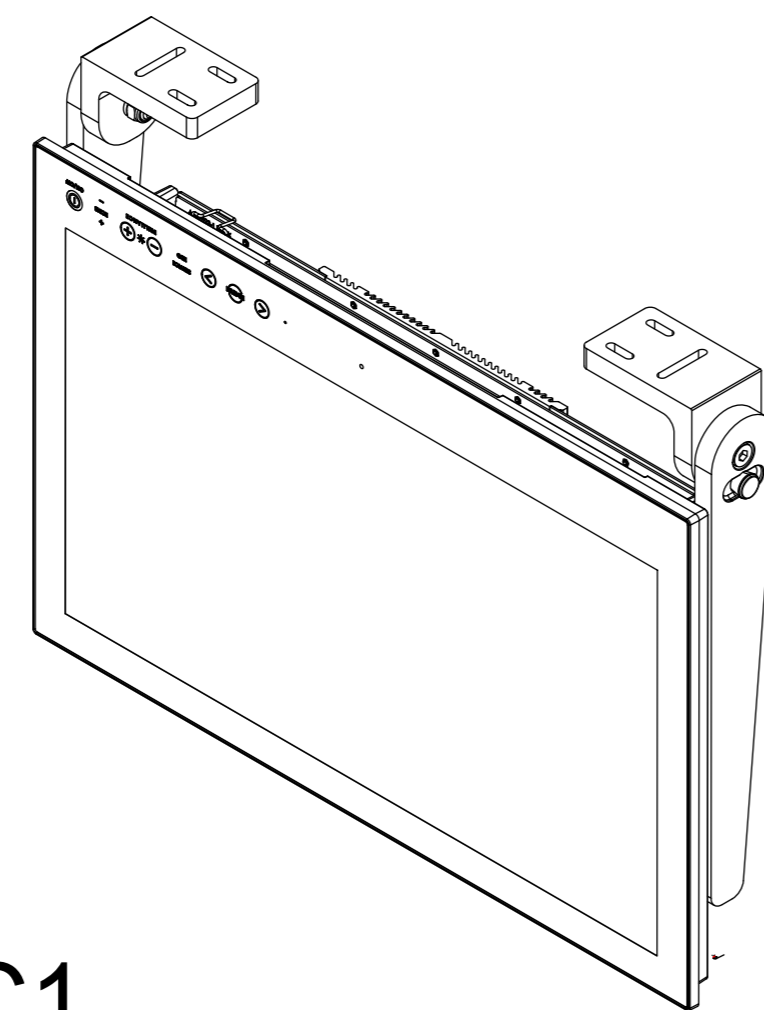
# DIMETRIC VIEW B



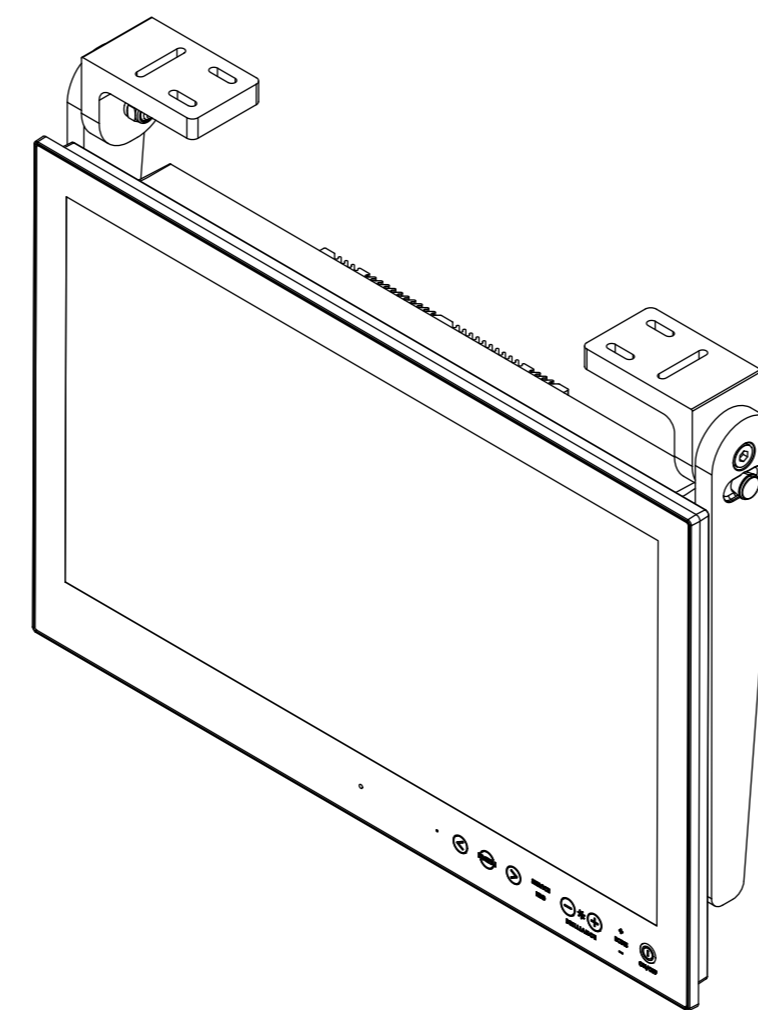
# EXPLODED VIEW



# DIMETRIC VIEW CEILING UPSIDE DOWN / STRAIGHT UP CABLING



# DIMETRIC VIEW CEILING NORMAL, U-BEND / STRAIGHT DOWN CABLING



Units: mm [inches]

# SALES DRAWING HD TMB SX1-C1

HD 24T21 Panel Computer used in this illustration. Procedure is valid for all HD 24T21 / HD 26T21 / HD 24T22 / HD 26T22 / HD 27T22 models (Displays and Panel Computers, Series X / Series X G2) - EN60945 Tested

Date:	Mechanical Design	Projection:	Size: A1 Format	<b>HATTELAND® DISPLAY</b>
17-08-2012	7251		Scale: 1:4	
Hatteland Display AS		Colour code:	Approved by: --	Revision: 1
Åmsosen N-5578 Nedre Vats		Surface treatment:	Drawing number: <b>A002770-1</b>	