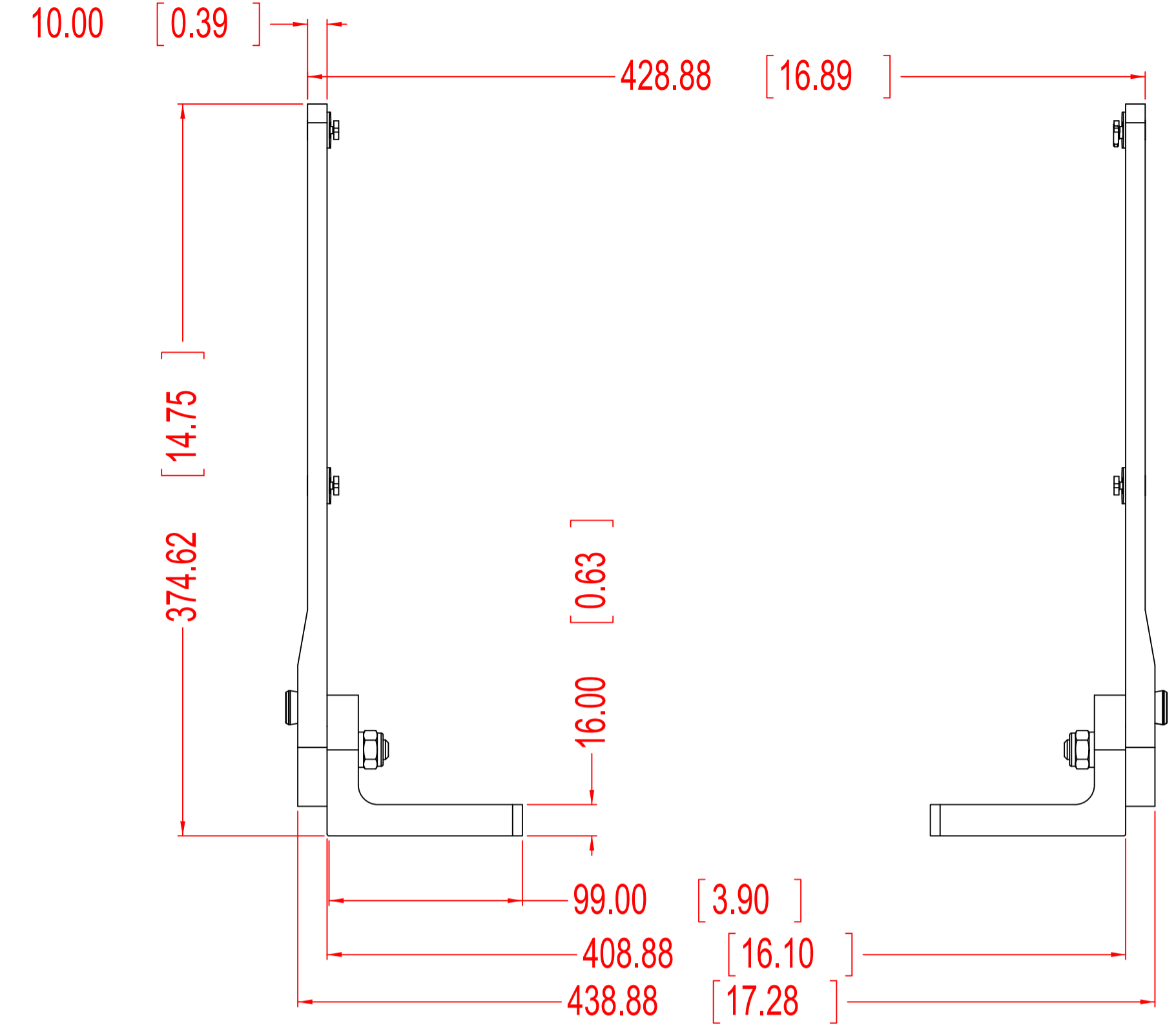
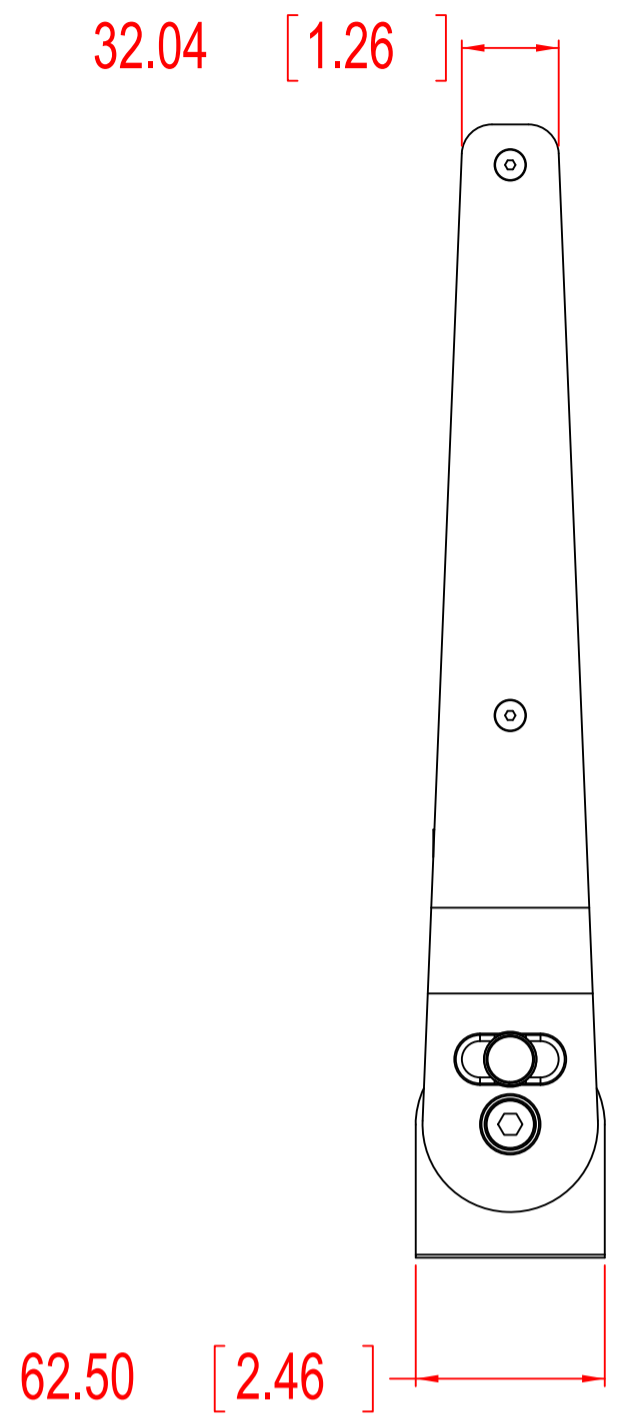


This document is the property of Hatteland Display AS. This document and any authorized reproduction thereof, must not be used in any way against the interest of Hatteland Display AS. Any authorized reproduction, in whole or in part, must include this legend.

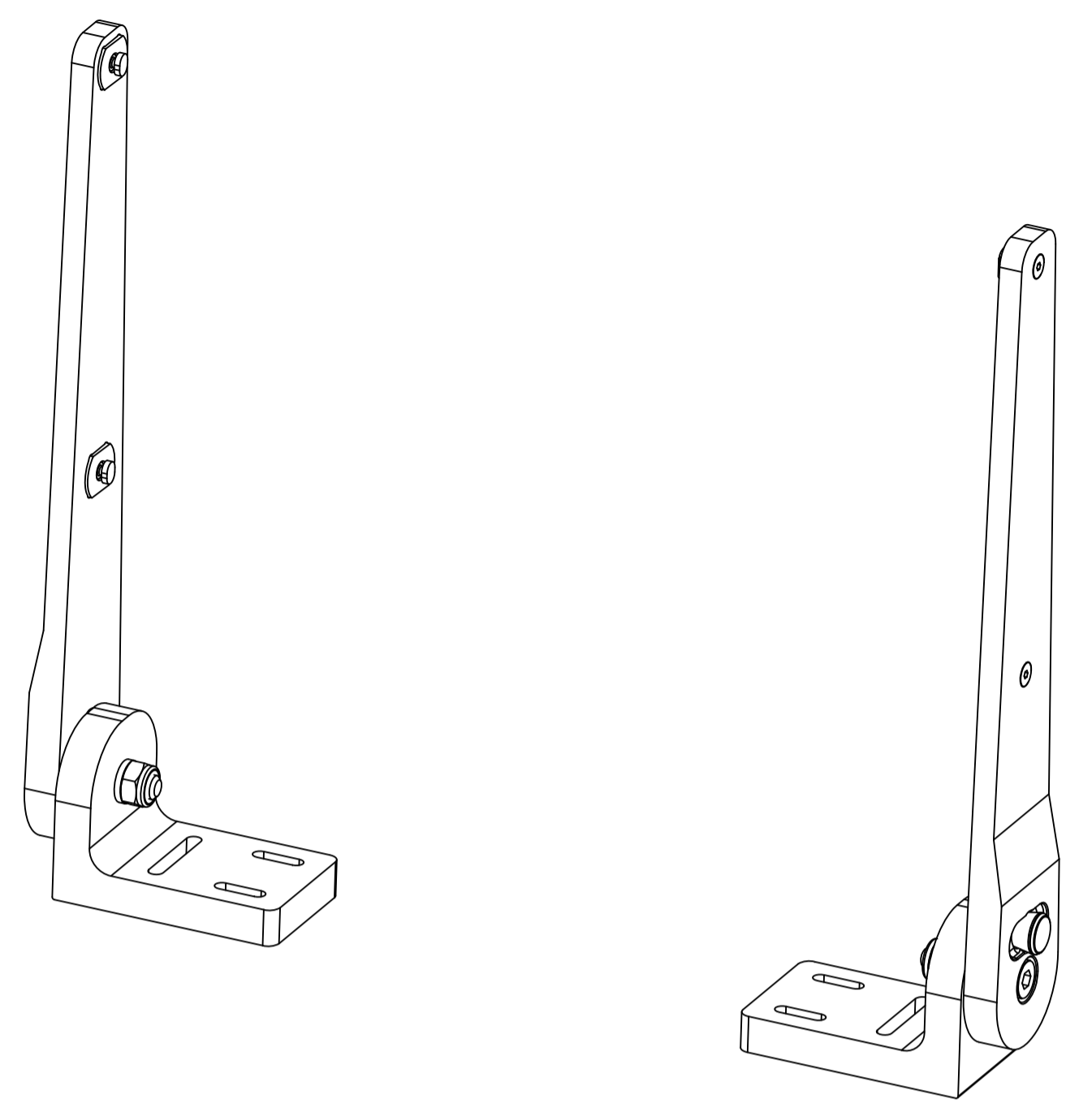
### FRONT VIEW TABLE MOUNT



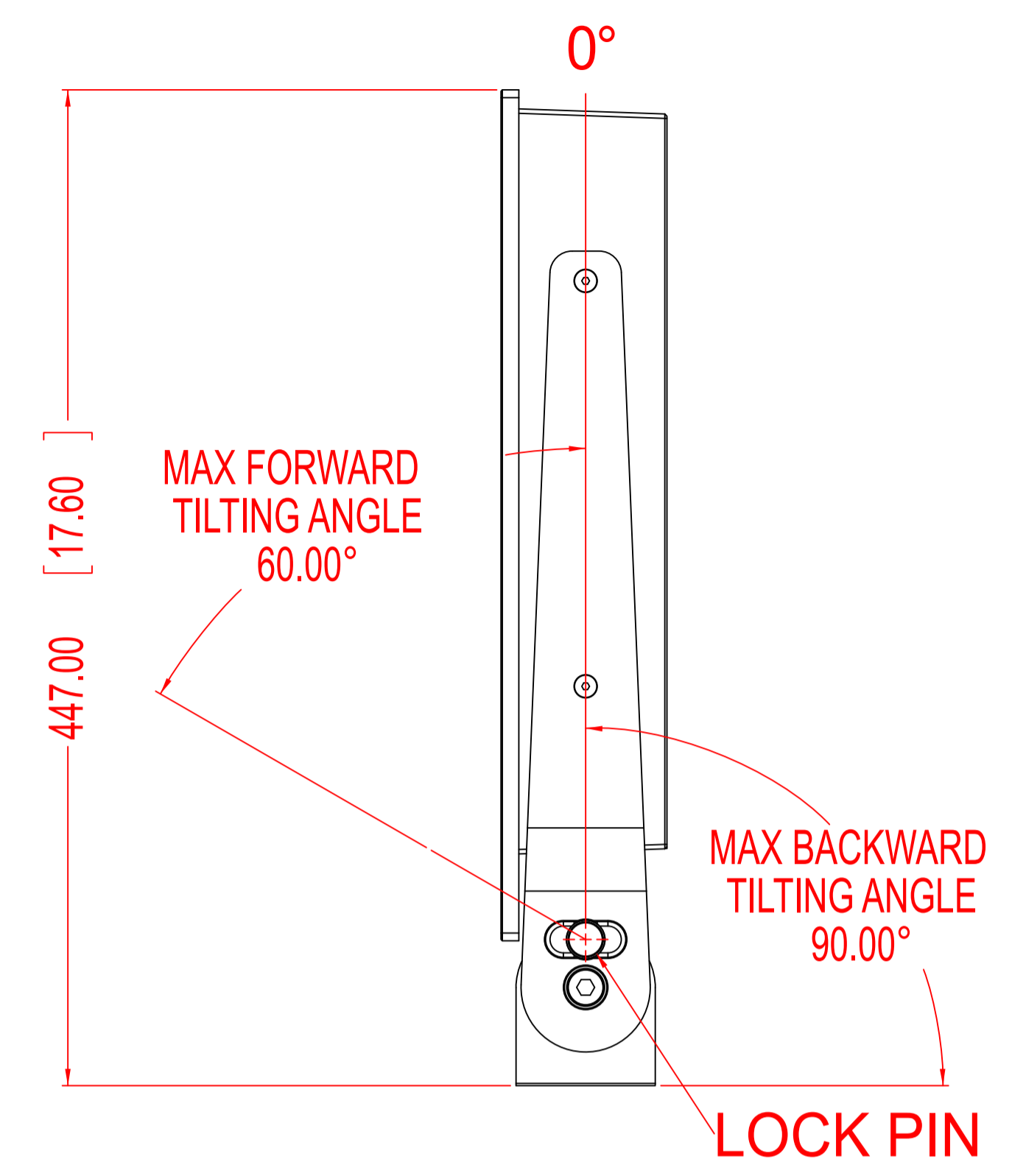
### SIDE VIEW



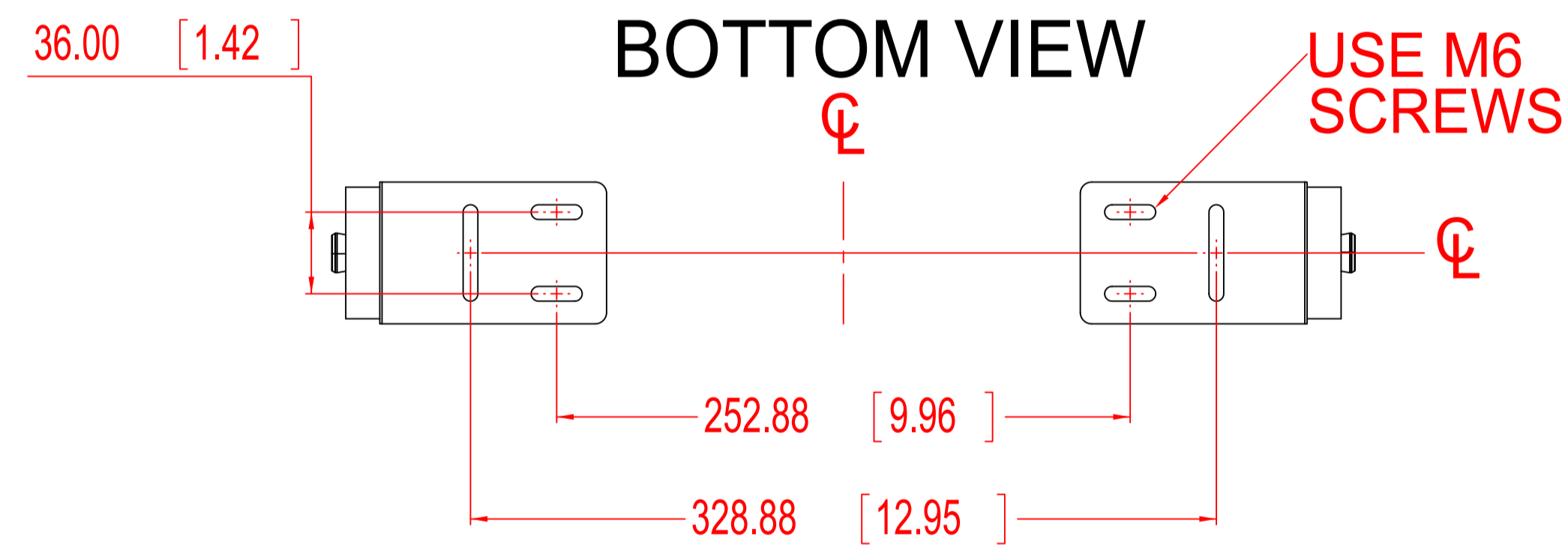
### DIMETRIC VIEW



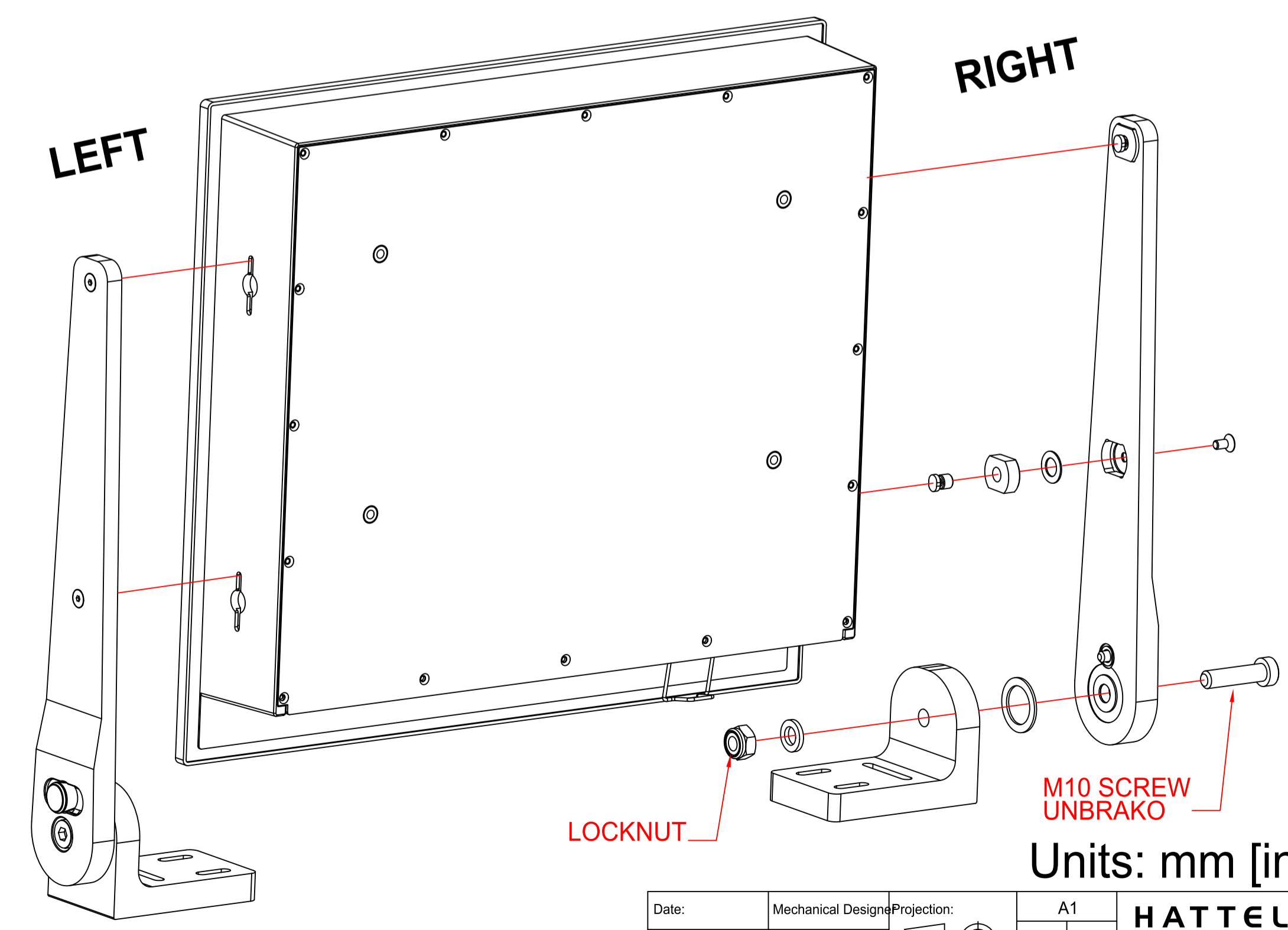
### ANGLE



### BOTTOM VIEW

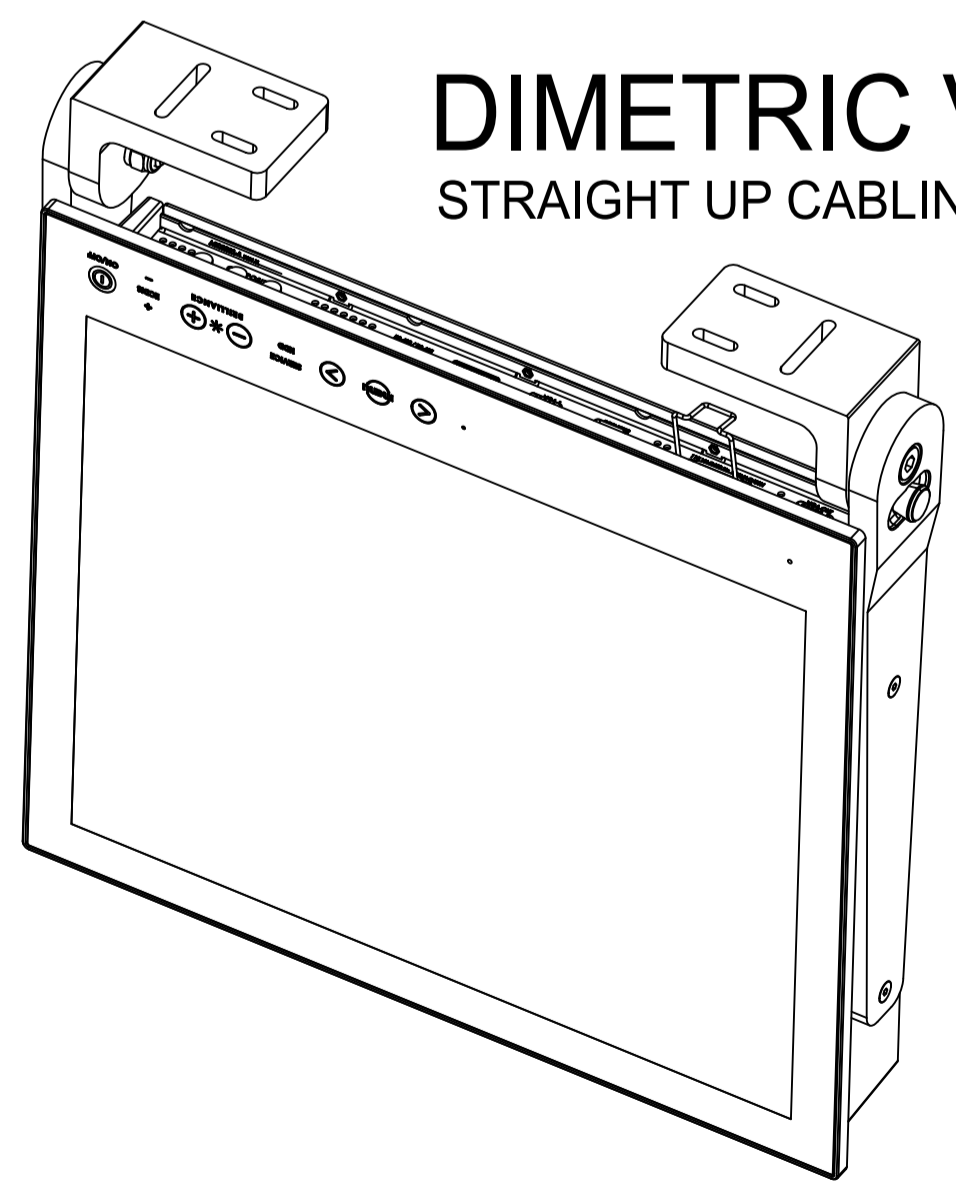


### EXPLODED VIEW



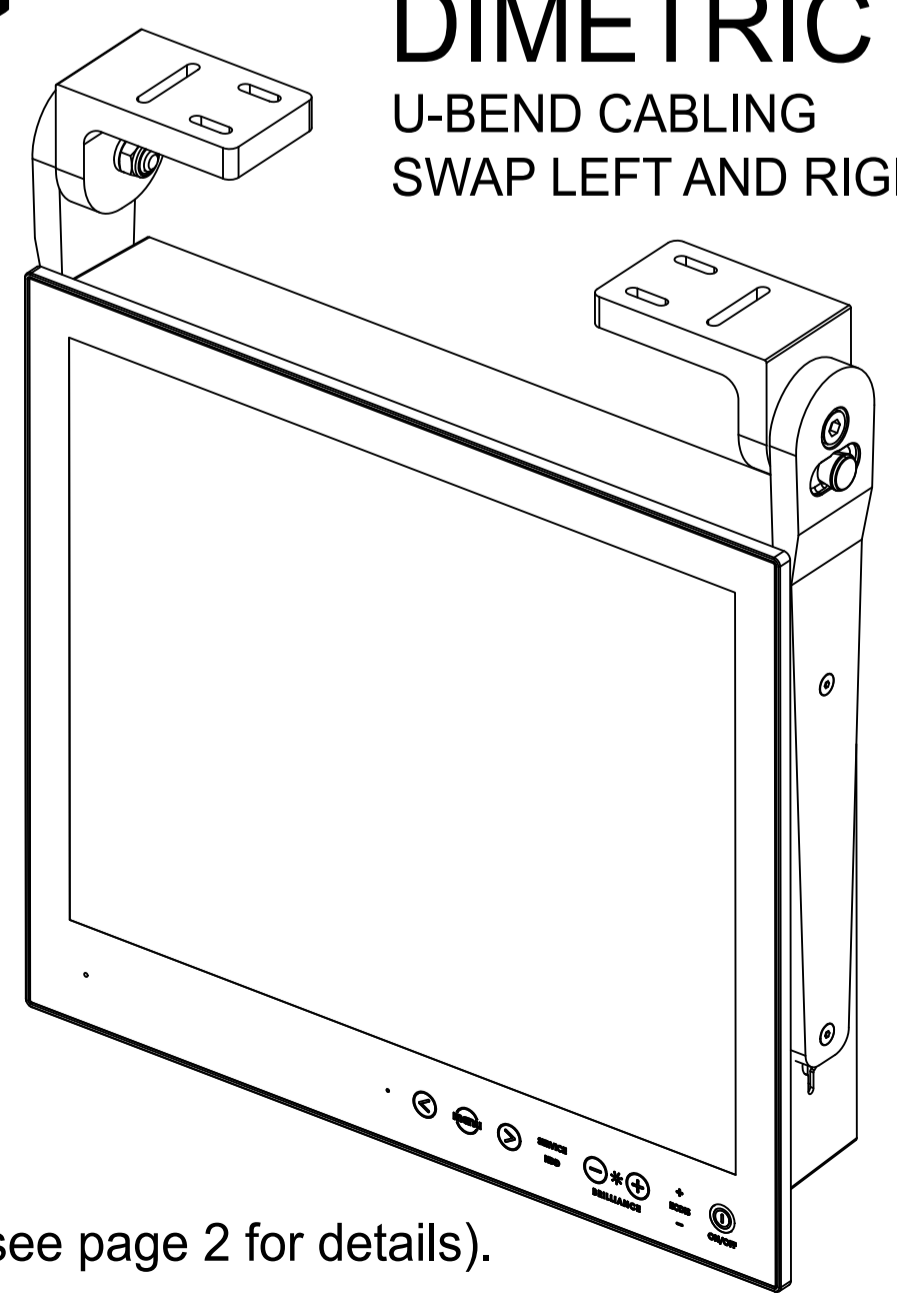
### DIMETRIC VIEW CEILING

STRAIGHT UP CABLING



### DIMETRIC VIEW CEILING

U-BEND CABLING  
SWAP LEFT AND RIGHT BRACKETS



Units: mm [inches]

## SALES DRAWING HD TMB SX1-B1

19 inch model shown in this drawing, but bracket also fits 17 inch model (see page 2 for details).

Date:	Mechanical Design	Projection:	A1	<b>HATTELAND® DISPLAY</b>	
22.04.13	8629		Scale: 1:2	Colour code:	Approved by:
Hatteland Display AS			Surface treatment:	Revision:	
Åmsosen N-5578 Nedre Vats			Drawing number: A007367		