

1

2

3

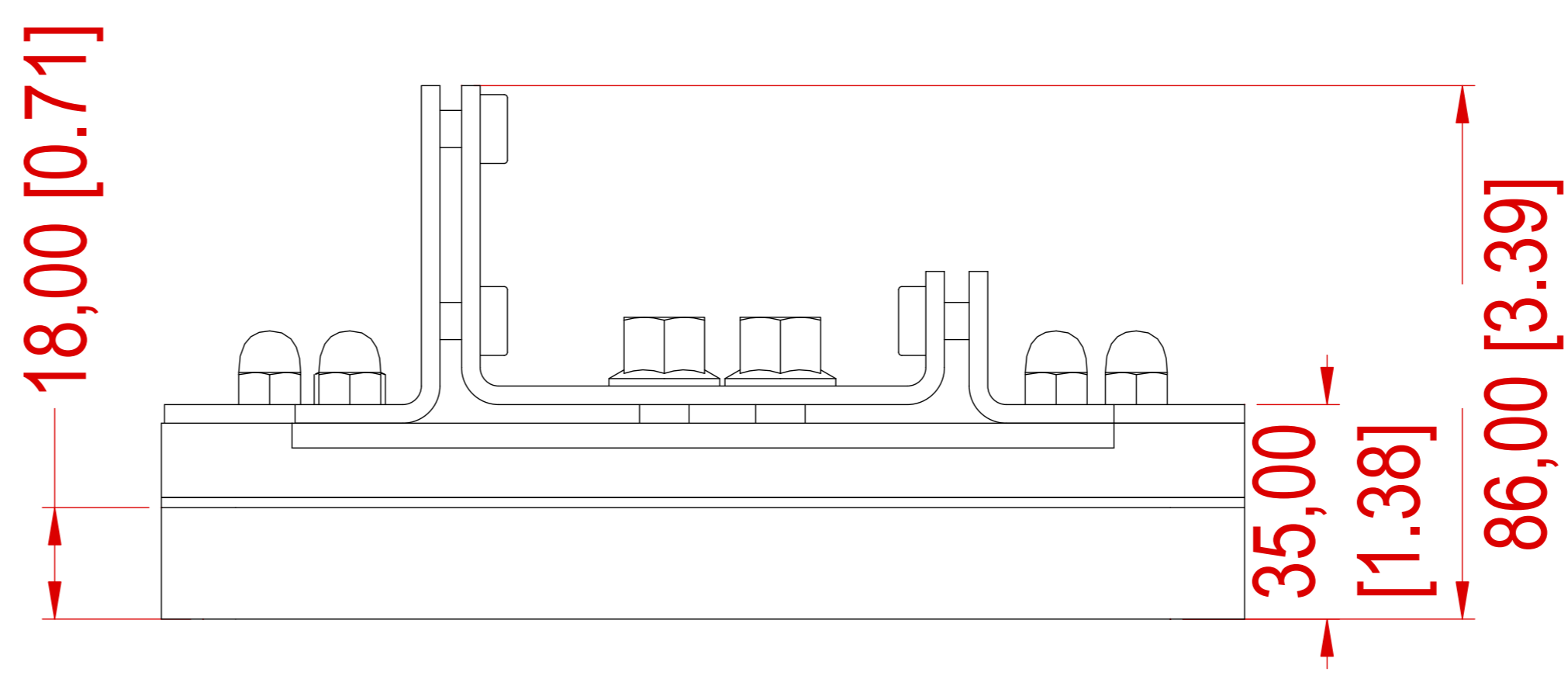
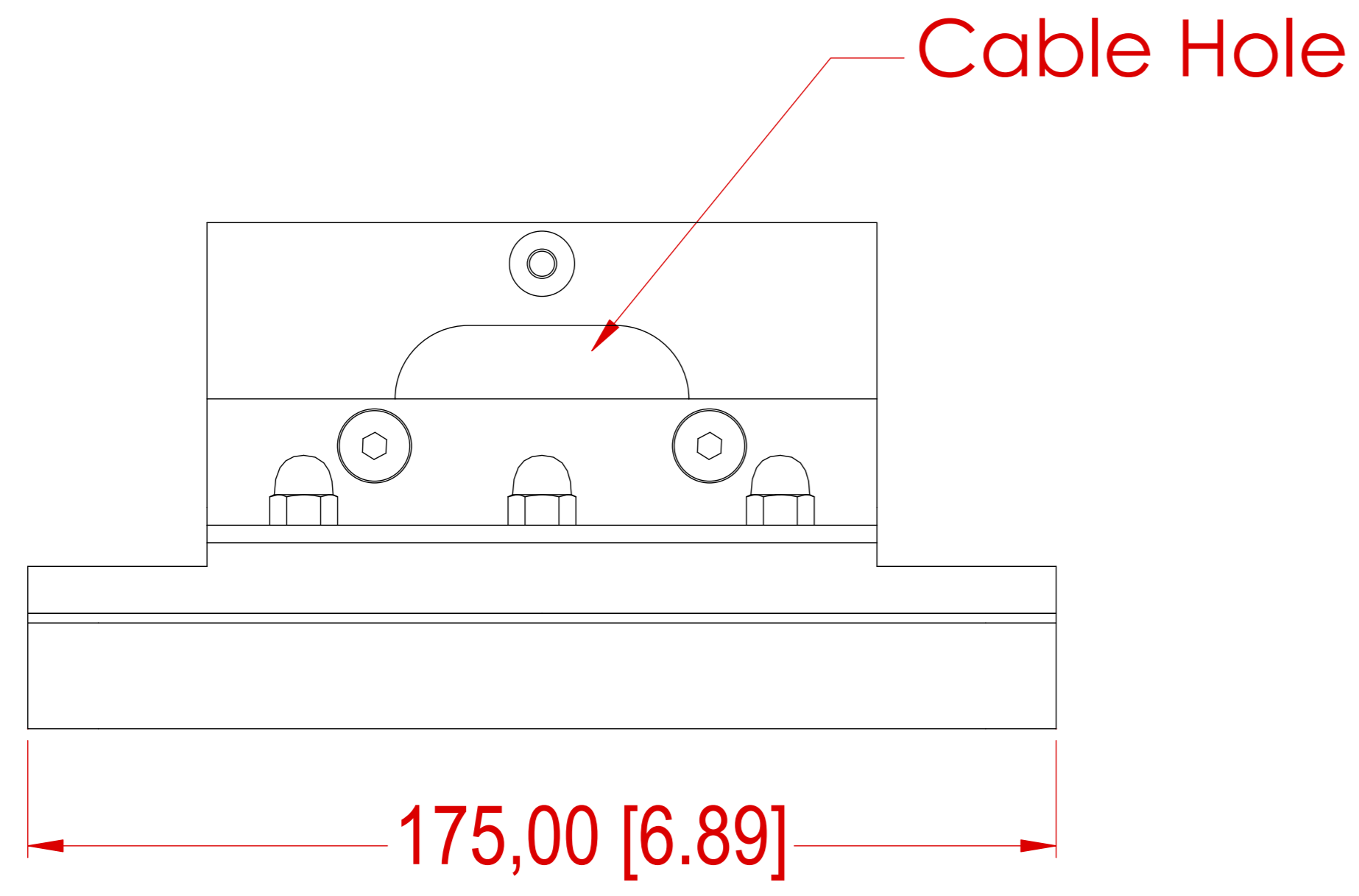
4

5

6

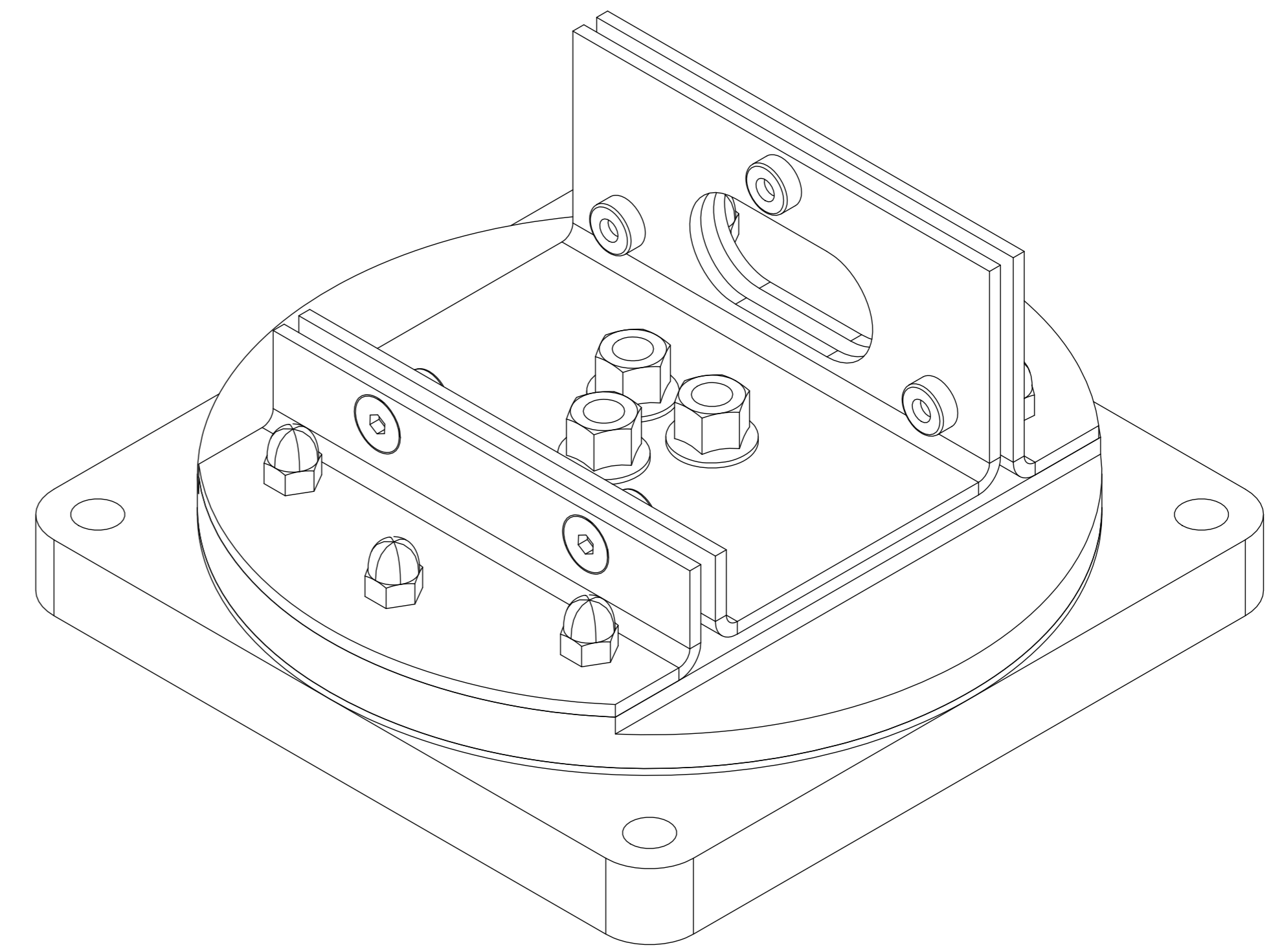
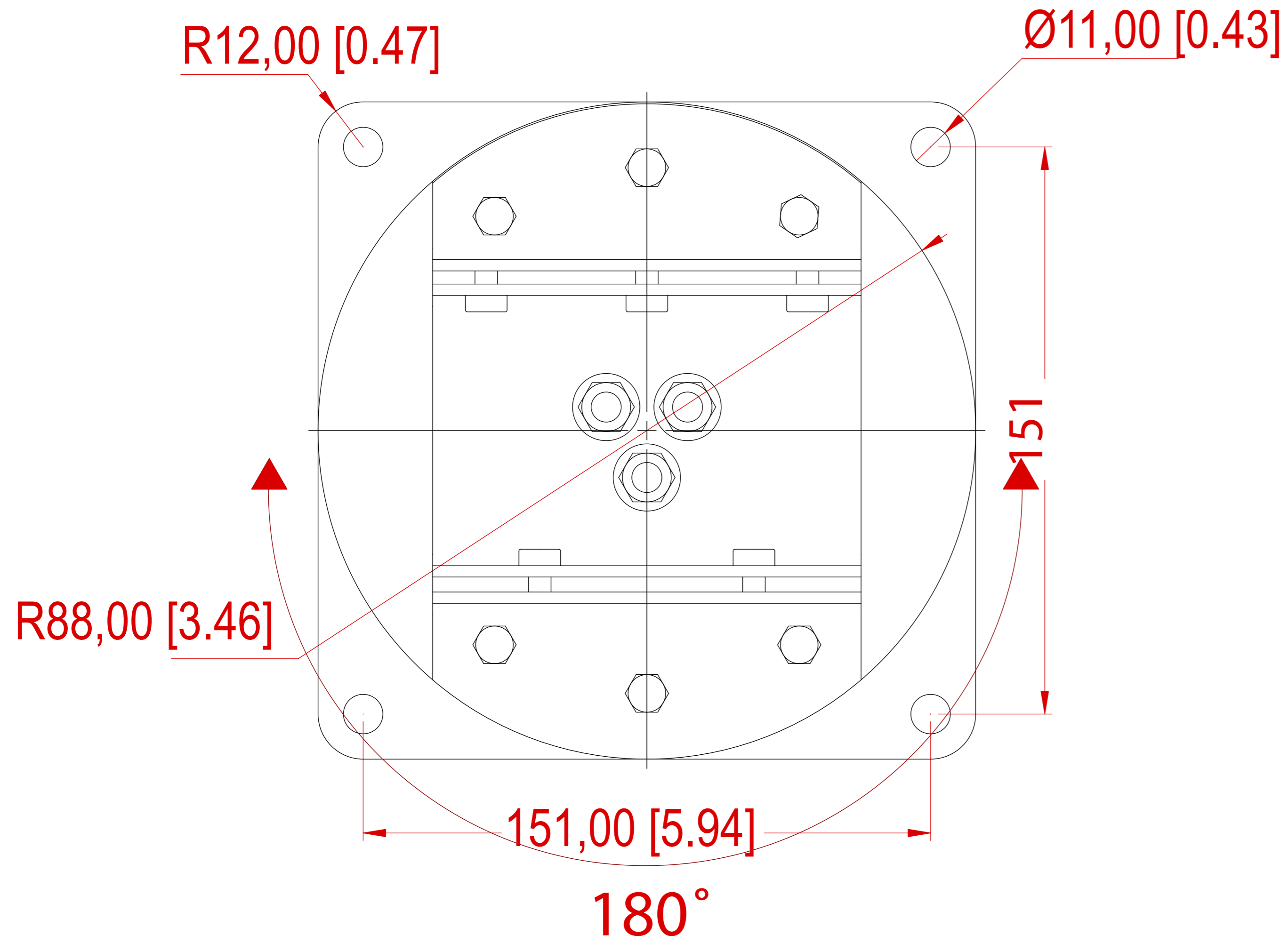
This document is the property of Hatteland Technology AS.  
This document and any authorized reproduction thereof, must not be used in any way against the interest of Hatteland Technology AS.  
Any authorized reproduction, in whole or in part, must include this legend.

A



B

C



D

Units: mm [inches]

|            |                     |             |                 |  |
|------------|---------------------|-------------|-----------------|--|
| Date:      | Mechanical Designer | Projection: | Size: A3 Format | <b>HATTELAND TECHNOLOGY</b><br>an EMBRON Company |
| 02-01-2003 | 4701                |             | Scale: 1:2      |  |

|  |  |                           |             |
|--|--|---------------------------|-------------|
| Hatteland Technology AS<br>Eikeskogvegen 52<br>N-5570 Akedal |  | Approved by: --           | Revision: 1 |
|  |  | Drawing number: A000151-1 |             |

### Rotary bracket for 17 to 26 inch