

# DATA SHEET

This information may not, in whole or in part, be copied, photocopied, reproduced, translated or reduced to any electronic medium or machine-readable form without the prior written consent of Hatteland Display AS. The products may not be copied or duplicated in any way.

**HATTELAND®**  
**DISPLAY**

Manufacturer: **Hatteland Display AS**  
 Product: **Rackmount Computer**  
 Type: **HT 216 STy-Axxx Models** (y=OS, xxx=Config)

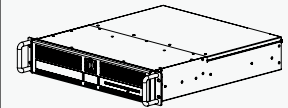
Last Revised: **04 Aug 2014**  
 Revision#: **25**

## Rackmount Computer

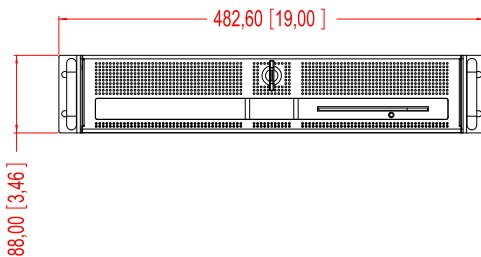
### Features:

HT 216 Maritime Rackmount Computer Models. Next generation computer that features the latest Intel® processor technology. The standard model is aimed/ designed to be used in marine applications. Normal installation is indoors and mounted into a standard 19" rack.

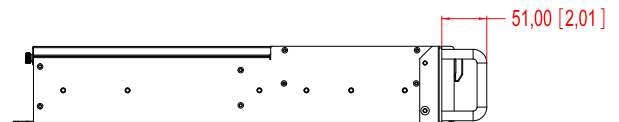
The 2U computer is designed to handle a large number of hardware configurations, both with respect to Hatteland Display defined options such as; HDD, customer additional hardware and customer designed PCI card. The unit is RoHS Compliant.



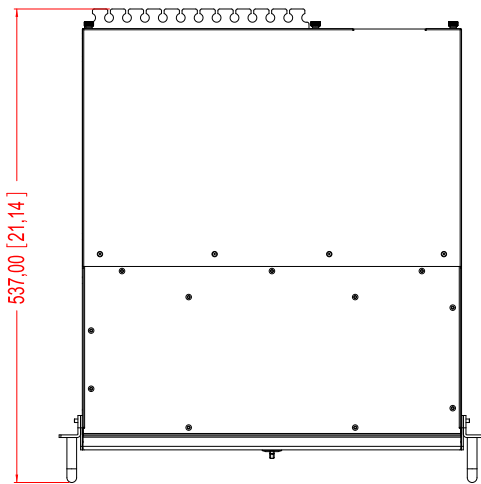
**FRONT VIEW**



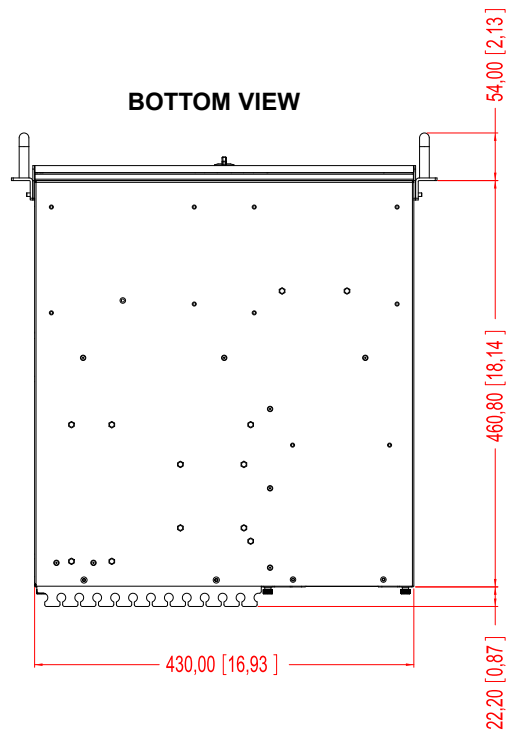
**SIDE VIEW**



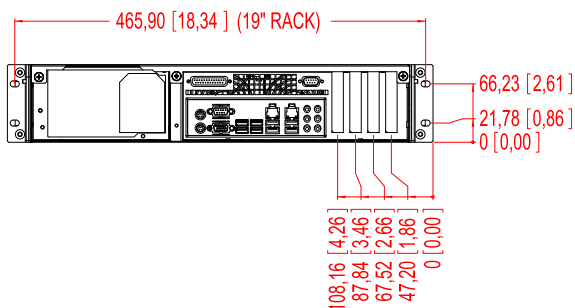
**TOP VIEW**



**BOTTOM VIEW**



**BACK VIEW**



Dimensions might be shown with or without decimals and indicated as mm [inches]. Tolerance on drawings is +/- 1mm. For accurate measurements, check relevant DWG file.

## TECHNICAL DESCRIPTION

### Computer Specifications: (Standard model)

<ul style="list-style-type: none"> <li>• Installed Operating System : None for standard version (check Accessories / Options below for OS options)</li> <li>• System Chipset : Intel® Q965 / ICH8D0</li> <li>• Graphics : Integrated VGA Chipset, Supports CRT interface</li> <li>• Graphics Resolution : Max 2048 x 1536 @ 85Hz</li> <li>• BIOS : AMI 8MB Flash</li> <li>• PCI Slots : 2 x PCI Slots 32-bit, 3V and 5V Interface, Half Length and Low Profile</li> <li>• PCIe-X1 Slots : 1 x PCIe X4, Half Length and Low Profile</li> <li>• PCIe-X16 Slots : 1 x PCIe X16 (add2), Half Length and Low Profile (Graphic mode)</li> <li>• Media Drive : 1 x Slim DVD-RW/CD-RW Dual Recorder/Player</li> <li>• Parallel Port (LPT) : 1 x Bi-Directional Centronics (SPP/ECP/EPP)</li> <li>• Serial Ports : 1 x RS-232</li> <li>• Serial Ports : 1 x RS-232/RS-422/RS-485** (electrical isolated)</li> <li>• Ethernet : 2 x 10/100/1000Mbps Gigabit LAN, Realtek RTL8111B</li> <li>• USB Ports : 8 x USB 2.0 + 2 x internal USB2.0</li> <li>• Keyboard Port : Standard PS/2 mini DIN connector</li> <li>• Mouse Port : Standard PS/2 mini DIN connector</li> <li>• Audio : On-board Audio Controller, AC97 Codec (7.1 channels, HD Audio) Line In, Line Out, Mic In</li> <li>• Speaker : On-board</li> <li>• Power Manager : ACPI</li> </ul>	<ul style="list-style-type: none"> <li>• ** Note: Isolated RS485, currently limited to 19200baud</li> </ul>
--	---

### External Connector Type:

1 x HD DB15F
1 x DB25F
1 x DB9M
1 x DB9F
2 x RJ-45
8 x USB Type A
1 x PS/2
1 x PS/2
6 x JACKS

### Power Specifications:

#### Power Supply Options:

• 115&230VAC - 50/60Hz	: HT 216 STx-Axxx model (400W - Autorange)
• Power Consumption - Operating	: 100W (TYP)

STD IEC

### Available Models:

#### HT 216 STD-A324 with:

1 x Intel® Core™2 Duo Desktop CPU E6400 - 2.13GHz, 1066MHz FSB, 2MB L2 Cache  
2 x 1 GB installed (Dual Channel DDR2 800/667MHz SDRAM, 240-pin DIMM)  
1 x 500GB or more\* 3.5" SATA, 7200 RPM, 8MB Cache  
1 x Microsoft® Windows® Embedded Enterprise (XP Professional Eng w/SP2c, 32bit)

#### HT 216 STD-A228 with:

1 x Intel® Core™2 Duo Desktop CPU E6400 - 2.13GHz, 1066MHz FSB, 2MB L2 Cache  
2 x 1 GB installed (Dual Channel DDR2 800/667MHz SDRAM, 240-pin DIMM)  
1 x 500GB or more\* 3.5" SATA, 7200 RPM, 8MB Cache  
2 x Intel® 10/100/1000Mbps Ethernet (Teaming, Low Profile) - RJ45  
1 x Matrox P690 LP PCIe-X16, 128MB, Max 2048x1536 @ 85Hz with 2 x 29P DVI-I\*  
1 x Microsoft® Windows® Embedded Enterprise (XP Professional Eng w/SP2c, 32bit)  
\* If 1600x1200 resolution is used, DVI signals must be set to CVT-RB (Coordinated Video Timing-Reduced Blanking) mode manually.

\* Size indicated is the lowest size available/approved for current revision of data sheet. The unit will support increased disk space in future. Please contact sales for up-to-date status.

### Available Accessories:

- HT 00250 OPT-A1 = 2 x 20" ball bearing sliding rail and mounting kit, for 19" Rack
- JH C01MF A-A = 1 x USB Cable 1m, Type A to Chassis mount receptacle
- HT 00300 MSOS = OS options -> <http://www.hatteland-display.com/os>

\*Please see user manual/datasheet for more information

### Models without/with OS:

• HT 216 ST0-Axxx	= No OS
• HT 216 STD-Axxx	= Microsoft® Windows® Embedded Enterprise (Win XP Pro Eng w/SP2c, 32bit)
• HT 216 ST3-Axxx	= Microsoft® Windows® Embedded Enterprise (Win Server 2003 Eng, 32bit)
• HT 216 ST7-Axxx	= Microsoft® Windows® Embedded Enterprise (Win 7 Pro Eng, 32bit)
• HT 216 ST8-Axxx	= Microsoft® Windows® Embedded Enterprise (Win Server 2008 Eng, 32bit)

For a full overview of typenumbers, please review the following link: [www.hatteland-display.com/pdflink/ind100780-5.php](http://www.hatteland-display.com/pdflink/ind100780-5.php)

## MECHANICAL DESCRIPTION

### Physical Considerations:

- 430.00 (W) x 80.00 (H) x 460.80 (D) mm (main chassis w/o handles etc)
- 16.93" (W) x 3.46" (H) x 18.14" (D) (main chassis w/o handles etc)
- Weight: 10 kg (approx)
- Power button, power led and HDD Led in front
- Black (EP0301-4040627) Heavy-duty steel 2U Rackmount chassis
- Easy Removable air filter and lockable front hatch door
- Supports 2 x 5¼" disk bays (one slim, one full size)
- Supports 4 x 3½" disk bays
- Supports rear cable strain reliefs with grounding thread
- Supports rear PCI card support holder, fixed to chassis
- 5 x Internal Cooling fans such as: High & Low pressure, PSU, CPU & PCI.

### Environmental Considerations:

- Operating : Temperature -15 deg. C to +55 deg. C  
Humidity up to 95%
- Storage : Temperature -20 deg. C to +60 deg. C  
Humidity up to 95%

#### Safety Considerations:

Even although the test conditions for bridge units provide for a maximum operating temperature of 55°C, continuous operation of all electronic components should, if possible, take place at ambient temperatures of only 25°C. This is a necessary prerequisite for long life and low service costs.

Compass Safe Distance : HT 216 STx-Axxx Standard: 140cm - Steering: 80cm

## APPROVALS & CERTIFICATES

This product have been tested / type approved by the following classification societies:

<b>IEC 60945 4th (EN 60945:2002)</b>	<b>DNV</b> - Det Norske Veritas	<b>ABS</b> - American Bureau of Shipping	<b>IACS E-10</b>	<b>BV</b> - Bureau Veritas
<b>ClassNK</b> - Nippon Kaiji Kyokai	<b>GL</b> - Germanischer Lloyd	<b>LRS</b> - Lloyd's Register of Shipping	<b>EU RO MR</b> - Mutual Recognition	